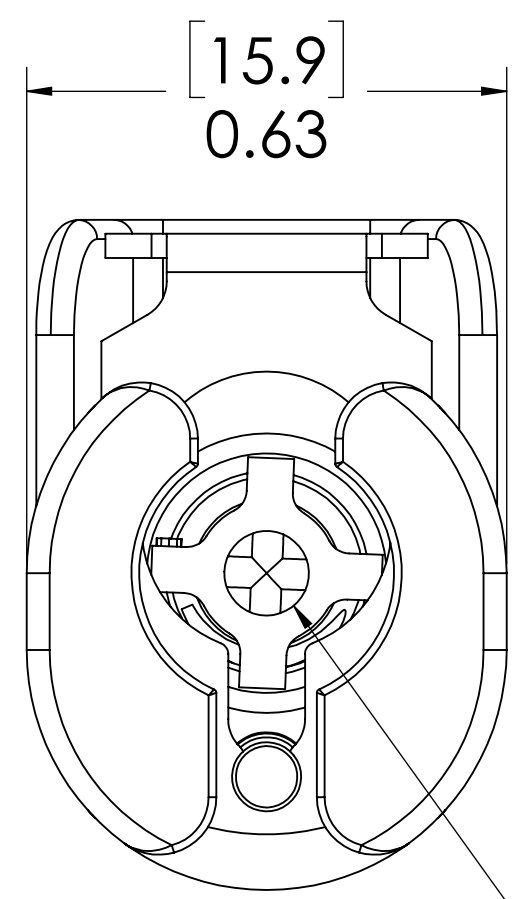
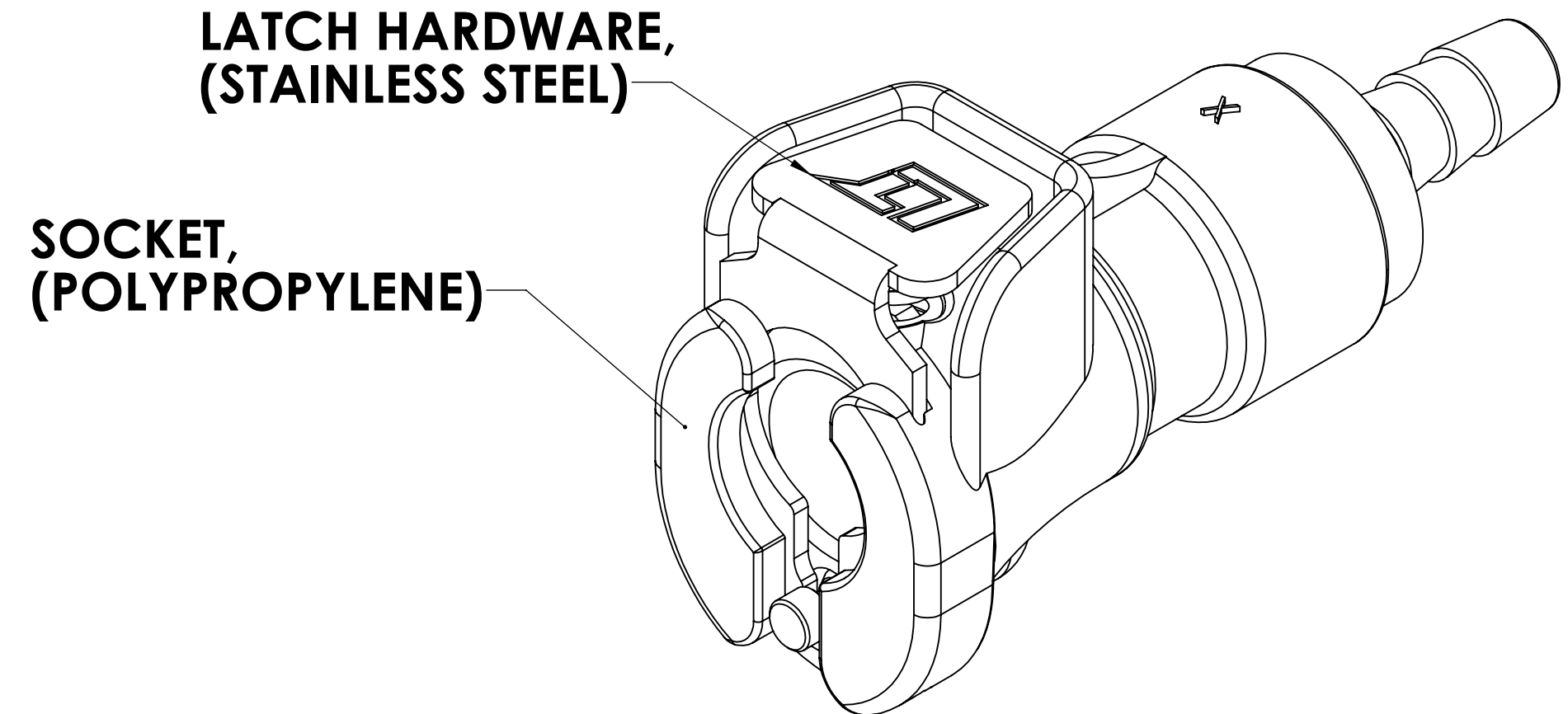
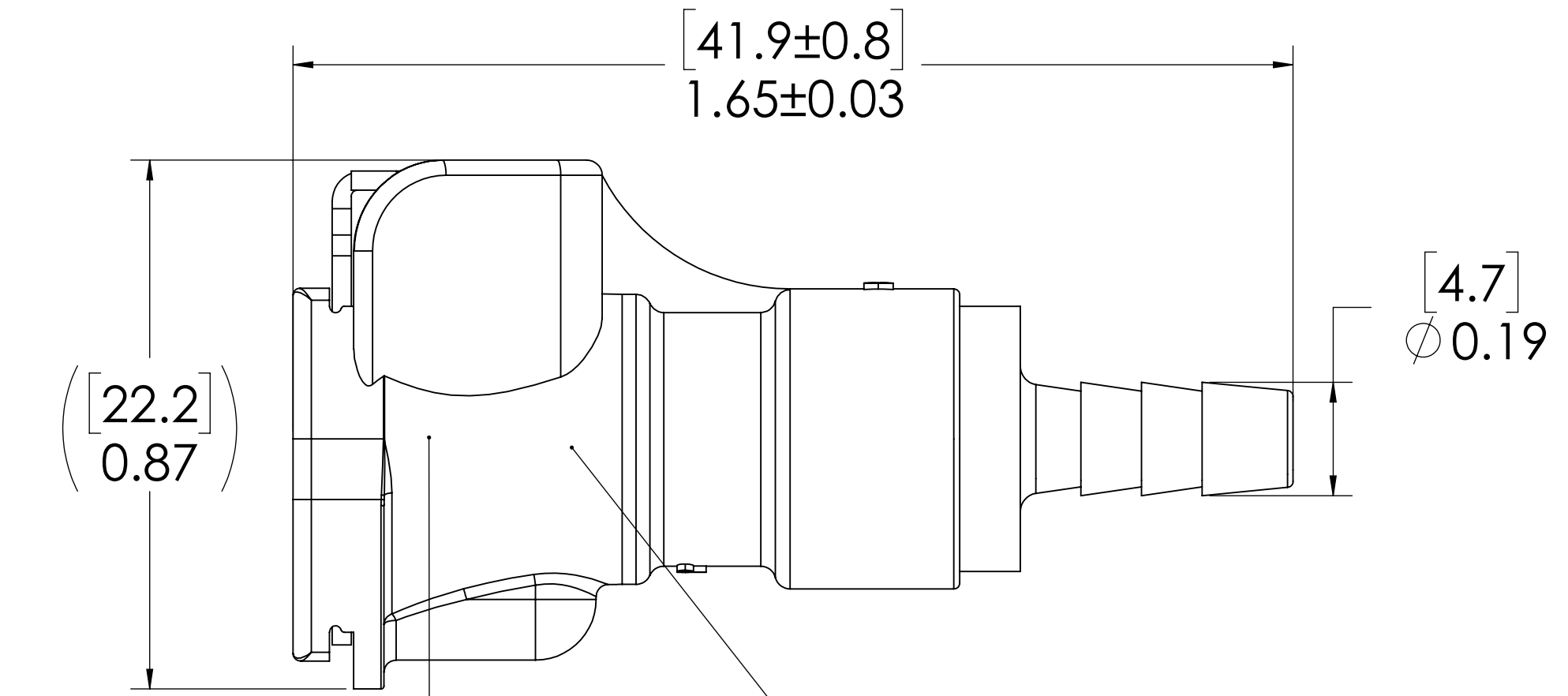


REVISIONS						
SHEET	D-3	REV.	ECO	DESCRIPTION	DATE	APPROVED
1	D-3	A	...	CHANGED O-RING FROM FOOD GRADE EPDM TO PEROXIDE CURE EPDM	9/24/2010	DHJ
1	ALL	B	50253	2017 FORMAT UPDATE	6/28/2018	HRC



**VALVE, (POLYPROPYLENE)**



**VALVE O-RING, INTERNAL (EPDM)**

**VALVE SPRING, INTERNAL (STAINLESS STEEL)**

- NOTES:**
- MATERIAL: POLYPROPYLENE
  - COLOR: GREY
  - O-RING MATERIAL: EPDM
  - O-RINGS LUBRICATED WITH FOOD GRADE SILICONE OIL, 350 CST.

**FOR REFERENCE ONLY**

<small>UNLESS OTHERWISE SPECIFIED: DIMENSIONS ARE IN INCHES TOLERANCES: FRACTIONAL ± 1/32 ANGULAR, MACH ± 0.5 BEND ± 2 ONE PLACE DECIMAL ± 0.1 TWO PLACE DECIMAL ± 0.01 THREE PLACE DECIMAL ± 0.005 TWO PLACE DUAL (mm) [±0.12]</small>	DRAWN	DHJ	8/25/10	
	CHECKED	DHJ	8/25/10	
	ENG APPR.	HRC	6/28/18	
	MFG APPR.	BDB	6/28/18	
PRODUCTION	LS	6/28/18		<b>PART NO:</b> 20PPV-SE2-02  <b>DESCRIPTION:</b> LinkTech 20PP Series Straight Female, Valved, 1/8" HB, Molded Grey Color, Polypropylene
<small>THE INFORMATION CONTAINED IN THIS DRAWING IS THE SOLE PROPERTY OF LINKTECH LLC. ANY REPRODUCTION OR DISCLOSURE IN PART OR AS A WHOLE WITHOUT THE WRITTEN PERMISSION OF LINKTECH LLC IS STRICTLY PROHIBITED.</small>	<b>SIZE</b> DWG. NO. <b>REV</b> <b>C</b> 20PP200073 <b>B</b>	<b>SCALE:</b> NTS <b>WEIGHT:</b>	<b>SHEET 1 OF 1</b>	